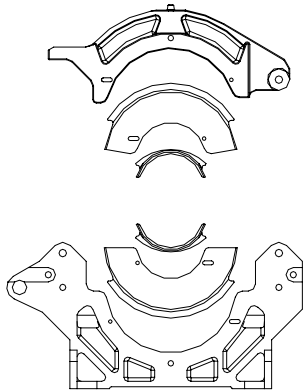


**Model: 28EP**  
(Formerly the TDW CF-28)

Pipe Size	Part Number	Insert Half	Component P/N	Pipe OD
8" DIPS	Clamp	Top Clamp	N/A	9.05" (230 mm)
		Bottom Clamp	N/A	
8" IPS	28-0208-6000-40	Upper	28-8208-6010-20	8.63" (219 mm)
		Lower	28-8208-6020-20	
200 mm	28-0208-6500-40	Upper	28-8208-6510-20	7.87" (200 mm)
		Lower	28-8208-6520-20	
7.125" OD	28-0208-6300-40	Upper	28-8208-6310-20	7.13" (181 mm)
		Lower	28-8208-6320-20	
6" DIPS	28-0208-6050-40	Upper	28-8208-6060-20	6.90" (175 mm)
		Lower	28-8208-6070-20	
6" IPS	28-0208-6100-40	Upper	28-8208-6110-20	6.63" (168 mm)
		Lower	28-8208-6120-20	
160 mm	28-0208-6550-40	Upper	28-8208-6560-20	6.30" (160 mm)
		Lower	28-8208-6570-20	
5" IPS	28-0208-6150-40	Upper	28-8208-6160-20	5.56" (141 mm)
		Lower	28-8208-6170-20	
5.375" OD	28-0208-6350-40	Upper	28-8208-6360-20	5.375" (137 mm)
		Lower	28-8208-6370-20	
5.25" OD	28-0208-6400-40	Upper	28-8208-6410-20	5.25" (133 mm)
		Lower	28-8208-6420-20	
125 mm	28-0208-6600-40	Upper	28-8208-6610-20	4.92" (125 mm)
		Lower	28-8208-6620-20	
4" DIPS (Master)	28-0208-6200-40	Upper	28-8208-6210-20	4.80" (122 mm)
		Lower	28-8208-6220-20	

This insert will accept McElroy inserts that are 5" IPS and smaller.



**All Inserts Below Require the 28-0208-6200-40 (8" DIPS X 4" DIPS) Master**

4" IPS	28-0208-6010-40	Upper	28-8204-6010-20	4.50" (114 mm)
		Lower	28-8204-6010-20	
110 mm	28-0208-6190-40	Upper	28-8204-6190-20	4.33" (110 mm)
		Lower	28-8204-6190-20	
100 mm	28-0208-6210-40	Upper	28-8204-6210-20	3.94" (100 mm)
		Lower	28-8204-6210-20	
90 mm	28-0208-6230-40	Upper	28-8204-6230-20	3.54" (90 mm)
		Lower	28-8204-6230-20	
3" IPS	28-0208-6030-40	Upper	28-8204-6030-20	3.50" (89 mm)
		Lower	28-8204-6030-20	
75 mm	28-0208-6250-40	Upper	28-8204-6250-20	2.95" (75 mm)
		Lower	28-8204-6250-20	
2-1/2" IPS	28-0208-7050-40	Upper	28-8204-6050-20	2.87" (73 mm)
		Lower	28-8204-6050-20	
63 mm	28-0208-6270-40	Upper	28-8204-6270-20	2.48" (63 mm)
		Lower	28-8204-6270-20	
2" IPS	28-0208-6070-40	Upper	28-8204-6070-20	2.37" (60 mm)
		Lower	28-8204-6070-20	

**Mitered Inserts (11.25°)**

8" DIPS	28-0208-6700-40	Left Upper Top Clamp	28-8208-6710-20	9.05" (230 mm)
		Right Upper Top Clamp	28-8208-6720-20	
		Lower	28-8208-6730-20	
8" IPS	28-0208-6750-40	Left Upper Top Clamp	28-8208-6760-20	8.63" (219 mm)
		Right Upper Top Clamp	28-8208-6770-20	
		Lower	28-8208-6780-20	
6" DIPS	28-0208-6800-40	L Upper and Lower Set	28-8208-6800-20	6.90" (175 mm)
		R Upper and Lower Set	28-8208-6800-20	
6" IPS	28-0208-6850-40	L Upper and Lower Set	28-8208-6850-20	6.63" (168 mm)
		R Upper and Lower Set	28-8208-6850-20	
5" IPS	28-0208-6900-40	L Upper and Lower Set	28-8208-6900-20	5.56" (141 mm)
		R Upper and Lower Set	28-8208-6900-20	
4" DIPS	28-0208-6950-40	L Upper and Lower Set	28-8208-6950-20	4.80" (122 mm)
		R Upper and Lower Set	28-8208-6950-20	
4" IPS	28-0208-7000-40	L Upper and Lower Set	28-8208-7000-20	4.50" (114 mm)
		R Upper and Lower Set	28-8208-7000-20	

