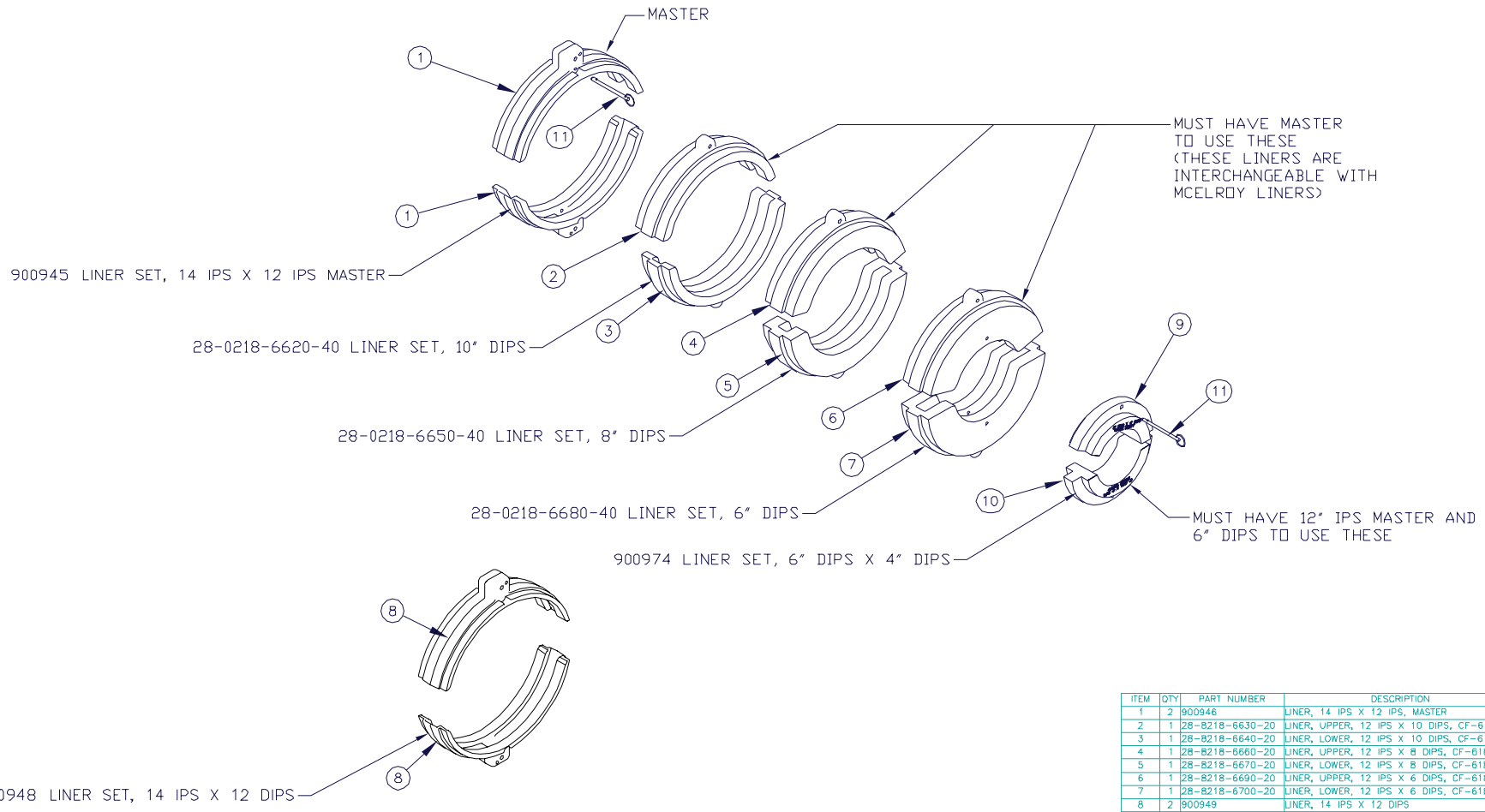


NOTES:
 1. FULL SET NUMBERS INCLUDE COMPLETE SET FOR FOUR CLAMPS.

REVISIONS				
ZONE	REV	DESCRIPTION	DATE	APPROVED



SIZE	MAIN ASSEMBLY USAGE							SUB-ASSEMBLY USED ON			
	10CQ	20CQ	10EP	20EP	10HP	20HP	40	QTY	ASSEMBLY	QTY	ASSEMBLY
4
8
14
18
24
36

ITEM	QTY	PART NUMBER	DESCRIPTION
1	2	900946	LINER, 14 IPS X 12 IPS, MASTER
2	1	28-8218-6630-20	LINER, UPPER, 12 IPS X 10 DIPS, CF-618
3	1	28-8218-6640-20	LINER, LOWER, 12 IPS X 10 DIPS, CF-618
4	1	28-8218-6660-20	LINER, UPPER, 12 IPS X 8 DIPS, CF-618
5	1	28-8218-6670-20	LINER, LOWER, 12 IPS X 8 DIPS, CF-618
6	1	28-8218-6690-20	LINER, UPPER, 12 IPS X 6 DIPS, CF-618
7	1	28-8218-6700-20	LINER, LOWER, 12 IPS X 6 DIPS, CF-618
8	2	900949	LINER, 14 IPS X 12 DIPS
9	1	900977	LINER, UPPER, 6" DIPS X 4" DIPS
10	1	900978	LINER, LOWER, 6" DIPS X 4" DIPS
11	2	00-4274-0430-00	PIN, QUICK RELEASE, .250 DIA X 3.00 GRIP

ALL DIMENSIONS ARE IN INCHES
 TOLERANCES
 FRACTIONS: 1/16
 DECIMALS: X+.03 / XX+.015 /
 XXX+.005
 ANGULARS: 1°
 FINISH: 125

CONNECTRA®
 simply fusion

414" LINER SET DIPS NESTING

DRAWN: L. BROWN
 DATE: 10/25/06

APP: . . . DATE: . . .
 CHECKED: . . . DATE: . . .

SIZE: FROM NO. QTY NO.
 SCALE: SHEET 1 OF 1